

Portable Projector

V302H / V332W / V302W / V332X / V302X

Compact size in combination with light weight makes the V Series easy to place wherever you need it.

The excellent price performance ratio makes these projectors especially suitable for classrooms and mid-sized meeting rooms.



Benefits

- **Great picture quality**
Thanks to various resolutions and 10,000:1 contrast.
- **Innovative ECO functions**
Reduce power consumption while ensuring optimal image performance.
- **Future proof connectivity**
Numerous analog and digital connection terminals, including MHL support* and network capability.
*V302H / V332W / V332X
- **3D ready**
For playback of engaging 3D applications and movies.
- **Free download of multi-display management software**

V302H

3,000 ANSI lumens Full-HD 2.9kg

V332W

3,300 ANSI lumens WXGA 2.8kg

V302W

3,000 ANSI lumens WXGA 2.7kg

V332X

3,300 ANSI lumens XGA 2.8kg

V302X

3,000 ANSI lumens XGA 2.7kg



Specifications

| | | NP-V302H | NP-V332W | NP-V302W | NP-V332X | NP-V302X |
|---|--|---|---------------------------|---|---------------------------|---|
| Projection System | | Single DLP® (0.65") | | Single DLP® (0.65") | | Single DLP® (0.55") |
| Resolution*1 | | 1,920 × 1,080 (Full HD) | | 1,280 × 800 (WXGA) | | 1,024 × 768 (XGA) |
| Lens | | Manual zoom (×1.2) / Manual focus, F= 2.55 - 2.85, f= 22.41 - 26.82 mm, Throw ratio = 1.50 - 1.80 | | Manual zoom (×1.1) / Manual focus, F= 2.50 - 2.67, f= 21.8 - 24.0 mm, Throw ratio = 1.55 - 1.70 | | Manual zoom (×1.1) / Manual focus, F= 2.41 - 2.55, f= 21.8 - 24.0 mm, Throw ratio = 1.95 - 2.15 |
| Light source (Lamp) | ECO mode | 170 W | 170 W | 160 W | 170 W | 160 W |
| | ECO mode off | 218 W | 218 W | 195 W | 218 W | 195 W |
| Lamp life*2 | ECO mode | 6,000 H | 6,000 H | 6,000 H | 6,000 H | 6,000 H |
| | ECO mode off | 3,500 H | 3,500 H | 4,500 H | 3,500 H | 4,500 H |
| Image size | | 40 to 300 inches | | 30 to 300 inches | | |
| Light output *3 *4 | ECO mode off | 3,000 ANSI lumens | 3,300 ANSI lumens | 3,000 ANSI lumens | 3,300 ANSI lumens | 3,000 ANSI lumens |
| | ECO mode | Approx. 80 % of ECO off | | | | |
| Contrast ratio (white/black)*4 | | 10,000:1 with lamp control | | | | |
| Maximum resolution | | Up to 1080p (1,920 × 1,080) | | | | |
| Synchronization range | | 15 kHz to 100 kHz (RGB: 24 kHz or over) | | | | |
| Keystone correction | Horizontal | Manual : ± Max 30 degrees | Manual : ± Max 30 degrees | - | Manual : ± Max 30 degrees | - |
| | Vertical | Manual : ± Max 30 degrees | Manual : ± Max 30 degrees | - | Manual : ± Max 30 degrees | - |
| Input terminals | Computer | Mini D-sub 15 pin × 1 | | | | |
| | Audio | Stereo mini jack × 1 | | | | |
| | | RCA × 1 | | | | |
| | Video | (L/R) RCA × 1 | | | | |
| HDMI | HDMI × 2 (HDMI1 supports MHL function) | HDMI × 2 (HDMI1 supports MHL function) | HDMI × 2 | HDMI × 2 (HDMI1 supports MHL function) | HDMI × 2 | |
| | Mini D-sub 15 pin × 1 | | | | | |
| Output terminals | | Stereo mini jack × 1 | | | | |
| Wired LAN port | | RJ-45 (10BASE-T / 100BASE-TX) × 1 | | | | |
| Control terminals | | D-sub 9 pin × 1 | | | | |
| USB port | | Service × 1 | | | | |
| Built-in speaker | | 8 W monaural | | | | |
| Usage environment | Operational temperature | 5 °C to 40 °C, up to 80 % humidity (no condensation) | | | | |
| | Storage temperature | -10 °C to 50 °C, up to 80 % humidity (no condensation) | | | | |
| Power requirements | | 100 to 240 V AC, 50 Hz / 60 Hz | | | | |
| Input current | | 2.8 A to 1.2 A | 2.8 A to 1.1 A | 2.5 A to 1.0 A | 2.7 A to 1.1 A | 2.5 A to 1.0 A |
| Power consumption (100 to 130 V AC / 200 to 240 V AC) | ECO mode off | 280 W / 266 W | 277 W / 263 W | 249 W / 237 W | 275 W / 263 W | 251 W / 237 W |
| | ECO mode | 217 W / 207 W | 215 W / 204 W | 205 W / 194 W | 213 W / 204 W | 206 W / 198 W |
| | Standby (Network) | 1.1 W / 1.3 W | 1.0 W / 1.3 W | 1.0 W / 1.3 W | 1.0 W / 1.3 W | 1.1 W / 1.3 W |
| | Standby (Normal) | 0.22 W / 0.35 W | 0.22 W / 0.35 W | 0.23 W / 0.38 W | 0.23 W / 0.35 W | 0.22 W / 0.37 W |
| Net dimensions (W × H × D) | | 324 × 88 × 250 mm (not including protrusions) | | | | |
| Weight | | 2.9 kg | 2.8 kg | 2.7 kg | 2.8 kg | 2.7 kg |
| Gross dimensions (W × H × D) | | 510 × 210 × 310 mm | | | | |
| Gross weight | | 4.8 kg | 4.6 kg | 4.6 kg | 4.6 kg | 4.6 kg |
| Accessories | | Power cord, remote control, batteries, signal cable, CD-ROM (User's manual), quick guide, important information, lens cap, security sticker | | | | |

*1: Effective pixels are more than 99.99%.

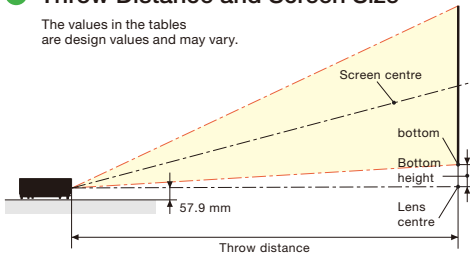
*2: The average time span for the brightness of the lamp to be reduced by half; does not refer to the warranty period for the lamp.

*3: This is the light output value (ANSI lumens) when the [PICTURE MODE] mode is set to [HIGH-BRIGHT]. If any other mode is selected as the [PICTURE MODE] mode, the light output value may drop slightly.

*4: Compliant with ISO21118-2012

Throw Distance and Screen Size

The values in the tables are design values and may vary.

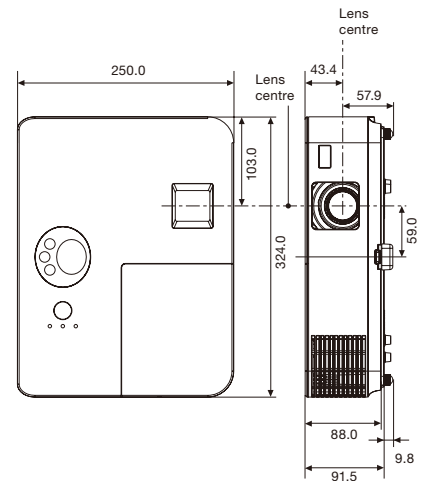


V302H (Aspect ratio 16:9)

| Screen Size (W×H m) | Throw Distance (m) | | Bottom Height (cm) |
|---------------------|--------------------|-------|--------------------|
| | Wide | Tele | |
| 40" (0.89×0.50) | 1.33 | 1.59 | 8.2 |
| 60" (1.33×0.75) | 1.99 | 2.39 | 12.3 |
| 80" (1.77×1.00) | 2.66 | 3.19 | 16.4 |
| 100" (2.21×1.25) | 3.32 | 4.00 | 20.5 |
| 120" (2.66×1.49) | 4.00 | 4.78 | 24.6 |
| 150" (3.32×1.87) | 4.98 | 5.98 | 30.7 |
| 180" (3.99×2.24) | 6.00 | 7.17 | 36.8 |
| 200" (4.43×2.49) | 6.64 | 7.97 | 40.9 |
| 240" (5.31×2.99) | 7.97 | 9.56 | 49.1 |
| 300" (6.64×3.74) | 9.96 | 11.96 | 61.4 |

Cabinet Dimensions

Unit: mm



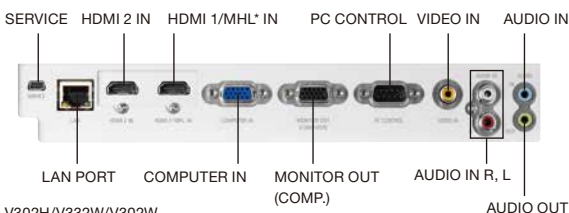
V332W / V302W (Aspect ratio 16:10)

| Screen Size (W×H m) | Throw Distance (m) | | Bottom Height (cm) |
|---------------------|--------------------|-------|--------------------|
| | Wide | Tele | |
| 30" (0.65×0.40) | 1.00 | 1.10 | 5.1 |
| 40" (0.86×0.54) | 1.34 | 1.47 | 6.8 |
| 60" (1.29×0.81) | 2.00 | 2.20 | 10.2 |
| 80" (1.72×1.08) | 2.67 | 2.93 | 13.6 |
| 100" (2.15×1.35) | 3.34 | 3.66 | 17.1 |
| 120" (2.59×1.62) | 4.01 | 4.39 | 20.5 |
| 150" (3.23×2.02) | 5.01 | 5.49 | 25.6 |
| 180" (3.88×2.42) | 6.01 | 6.59 | 30.7 |
| 200" (4.31×2.69) | 6.68 | 7.32 | 34.1 |
| 240" (5.17×3.23) | 8.01 | 8.79 | 40.9 |
| 300" (6.46×4.04) | 10.02 | 10.99 | 51.2 |

V332X / V302X (Aspect ratio 4:3)

| Screen Size (W×H m) | Throw Distance (m) | | Bottom Height (cm) |
|---------------------|--------------------|-------|--------------------|
| | Wide | Tele | |
| 30" (0.61×0.46) | 1.19 | 1.31 | 6.9 |
| 40" (0.81×0.61) | 1.59 | 1.75 | 9.1 |
| 60" (1.22×0.91) | 2.38 | 2.62 | 13.7 |
| 80" (1.63×1.22) | 3.17 | 3.50 | 18.3 |
| 100" (2.03×1.52) | 3.96 | 4.37 | 22.8 |
| 120" (2.44×1.83) | 4.75 | 5.24 | 27.4 |
| 150" (3.05×2.29) | 5.94 | 6.55 | 34.3 |
| 180" (3.66×2.74) | 7.13 | 7.86 | 41.1 |
| 200" (4.06×3.05) | 7.92 | 8.74 | 45.7 |
| 240" (4.88×3.66) | 9.51 | 10.49 | 54.8 |
| 300" (6.10×4.57) | 11.89 | 13.11 | 68.5 |

Terminals



* MHL: V302H/V332W/V302W

Accessory

Included accessories



Options

Replacement lamp



NP35LP

NP36LP

3D goggles



NP02GL

NeViSet is a trademark or registered trademark of NEC Display Solutions, Ltd. in Japan, the United States and other countries. DLP and the DLP logo are registered trademarks or trademarks of Texas Instruments.

The terms HDMI and HDMI High-Definition Multimedia Interface, and the HDMI Logo are trademarks or registered trademarks of HDMI Licensing LLC in the United States and other countries.

MHL and the MHL logo are trademarks, registered trademarks or service marks of MHL, LLC in the United States and/or other countries.

Other hardware and software names are trademarks or registered trademarks of the respective manufacturers.

All rights reserved. All specifications are subject to change without notice. June 2015